

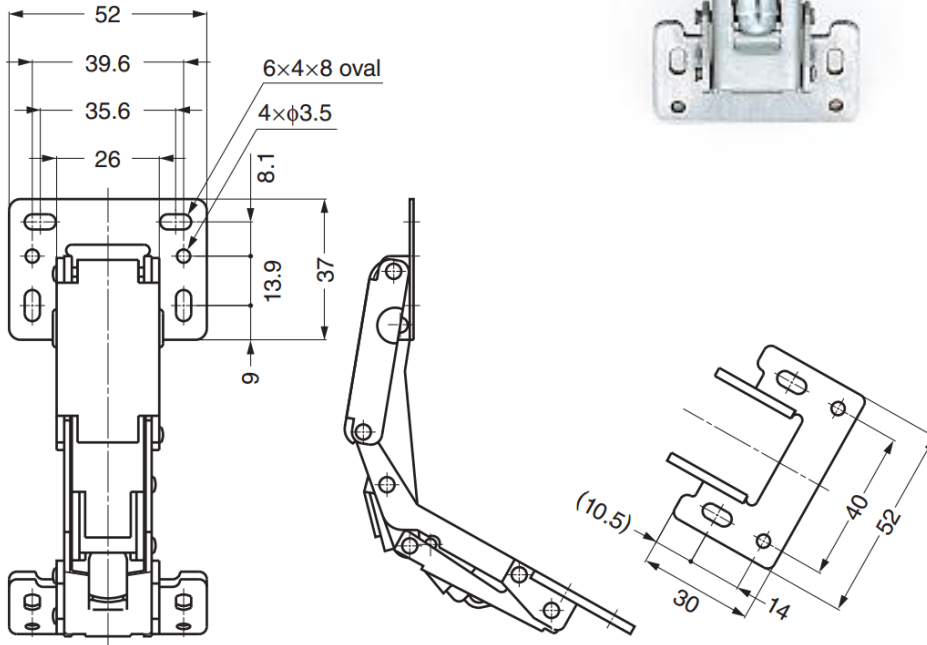
## G2000-150 Concealed Hinge

### Features

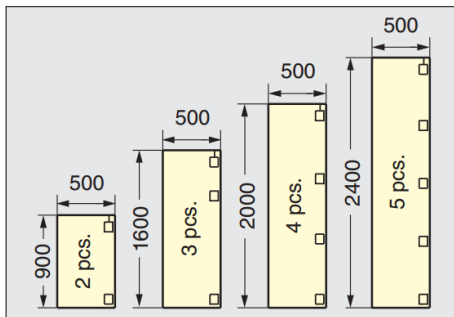
- Surface mounted, no need for cut-out on flaps
- Can be used for both inset and overlay doors
- Wide door protrusion
- With catch
- Overlay: Max. 20 mm
- Applicable overlay: 0 ~ 20 mm

### Material

- Steel, nickel finish

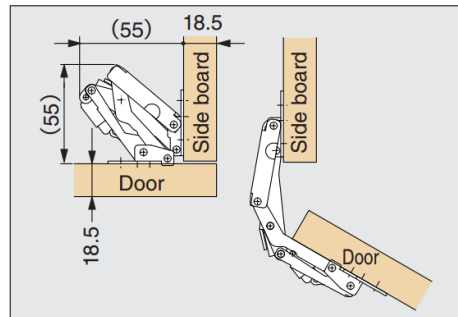


### Recommended No. of Hinges



### Application Example

(t = 18.5 mm / 20 mm overlay)



Part No.	Door Thickness	Opening Angle
G2000-150	Max. 20	150°